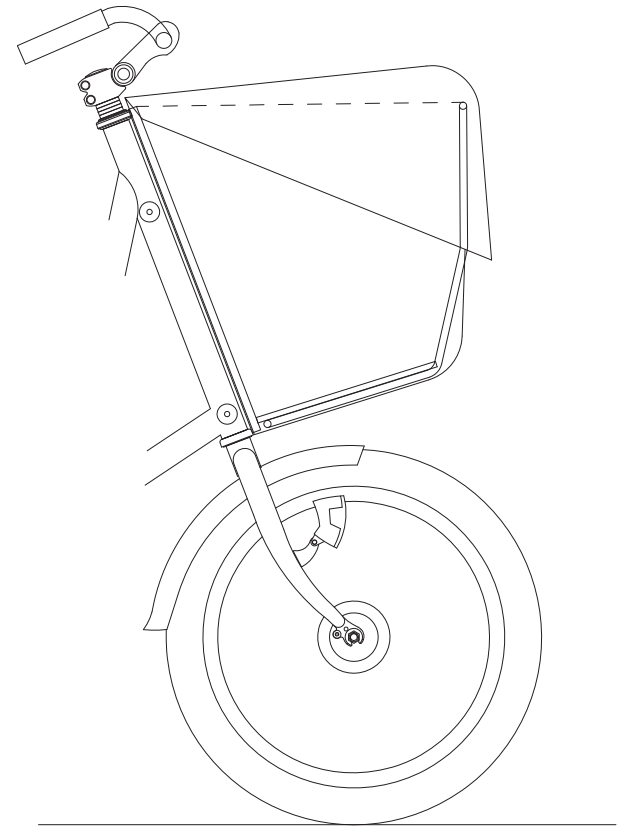
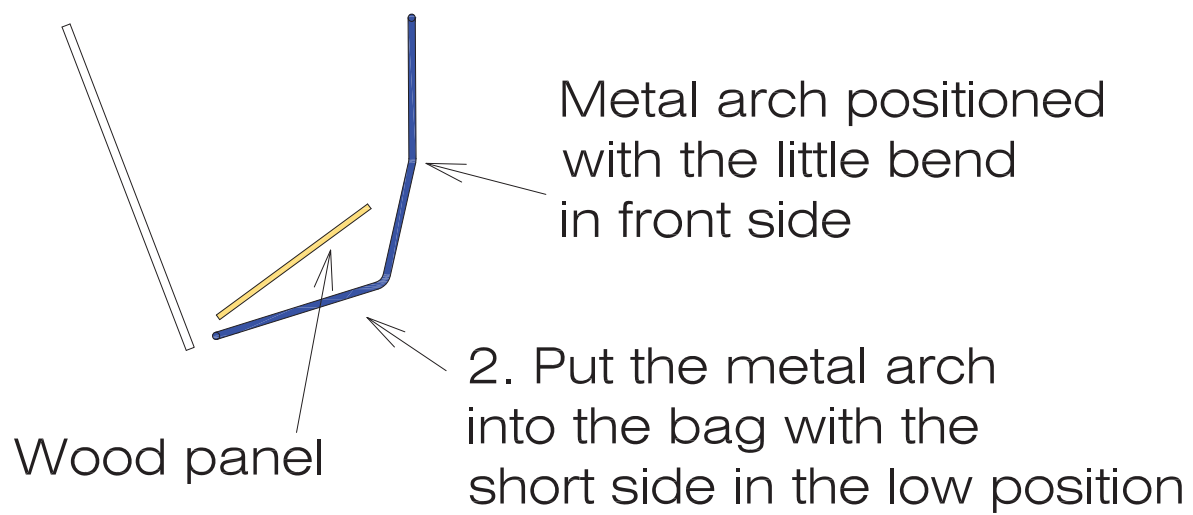
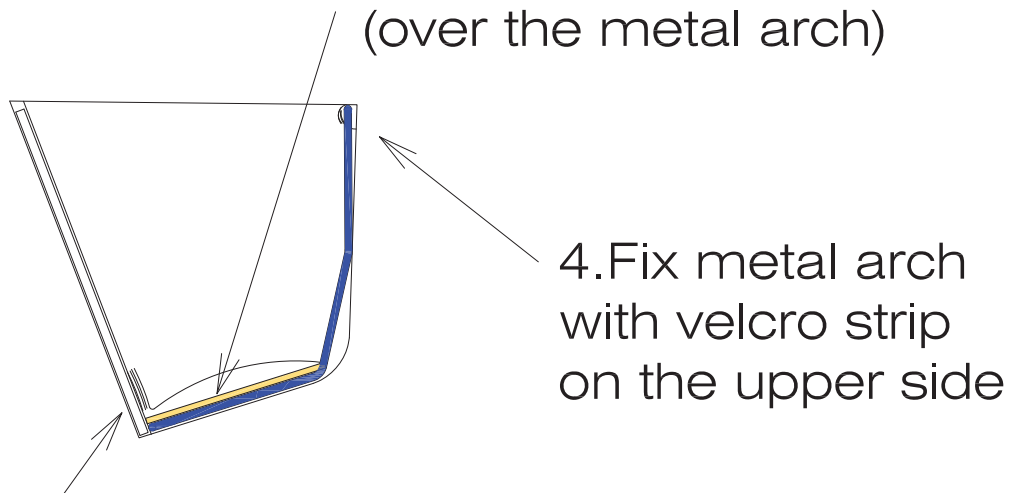


# Bicicapace frontal bag assembly

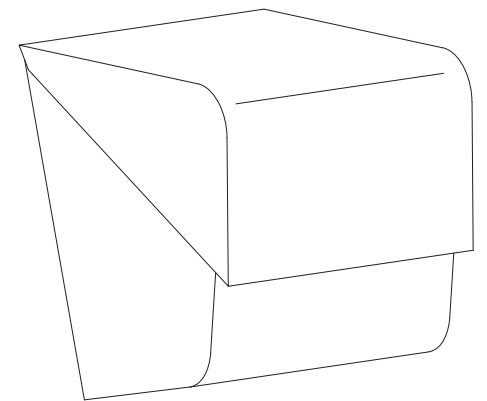
1. Fix the bag to the bike with the screw assembled on the bike



3. Put the wood base panel on the bottom side of the bag (over the metal arch)



5. Cover the wood panel with the PVC part and fix it with velcro closure



B I C I C A P A C E